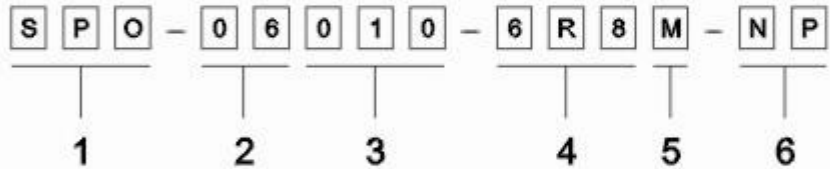


SMD POWER INDUCTORS SPO TYPE



PRODUCT IDENTIFICATION

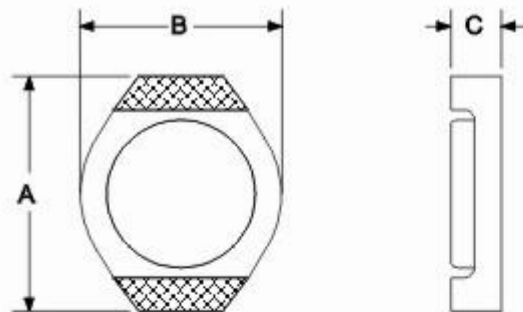


1. PRODUCT SYMBOL
2. OUTSIDE DIA : mm
3. BODY HEIGHT : mm
4. INDUCTANCE : μ H
5. TOLERANCE : K \pm 10% , L \pm 15% , M \pm 20%
6. Meet ROHS Regulations of Prohibited 6 Poisonous Materials

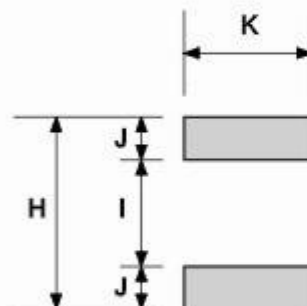
FEATURE

- Available in low high product
- Low DC resistance
- Suitable for large currents
- Ideal for a variety DC-DC converter inductor applications
- Available on tape and reel for auto Surface mounting

SHAPES & DIMENSION FOR SPO SERIES (mm)



RECOMMENDED PATTERN (mm)



PART No	A Max.	B Max.	C Max.	H	I	J	K
SPO 06010	6.6	5.5	1.0	7.0	4.8	1.1	2.5
SPO 09016	9.2	7.9	1.65	9.7	7.2	1.3	5.9



SMD POWER INDUCTORS SPO TYPE

ELECTRICAL SPECIFICATION

Part NO.	L (μH)	RDC(OHM) Max.		IDC(A)Max.	
		06010	09016	06010	09016
1R2	1.2	0.10		1.70	
2R2	2.2	0.18		1.20	
3R3	3.3	0.22		1.00	
4R7	4.7	0.32	0.145	0.85	1.6
6R8	6.8	0.38	0.165	0.70	1.3
8R2	8.2	0.48		0.65	
100	10	0.51	0.24	0.60	1.0
150	15		0.30		0.9
220	22		0.42		0.7
330	33	1.25	0.55	0.35	0.6
470	47		0.765		0.5
680	68		1.10		0.4
820	82				
101	100		1.60		0.3
151	150		2.50		0.25
221	220		3.65		0.22
331	330		4.65		0.18
471	470		6.75		0.14
681	680		9.15		0.12
102	1000		14.2		0.1

Operating Temperature : -30℃~ +85℃
 Storage Temperature : -40℃~ +85℃
 Test Freq. : 100KHz/0.1V
 Inductance drop ≤35% Typ. At IDC