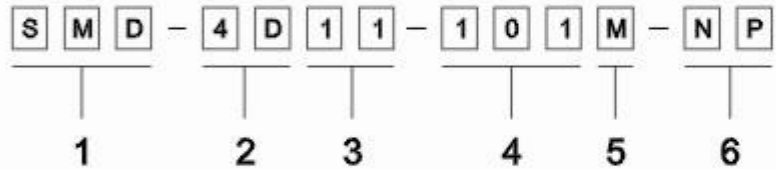
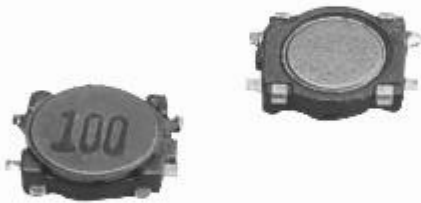


# SMD POWER INDUCTORS SMD TYPE



## PRODUCT IDENTIFICATION



### 1.PRODUCT SYMBOL

2.OUTSIDE DIA : mm

3.BODY HEIGHT : mm

4.INDUCTANCE :  $\mu$ H

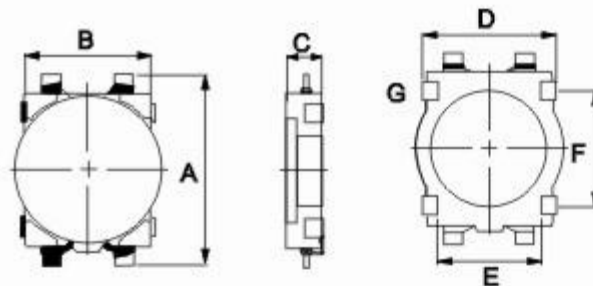
5.TOLERANCE : K $\pm$ 10% , L $\pm$ 15% , M $\pm$ 20%

6.Meet ROHS Regulations of Prohibited 6 Poisonous Materials

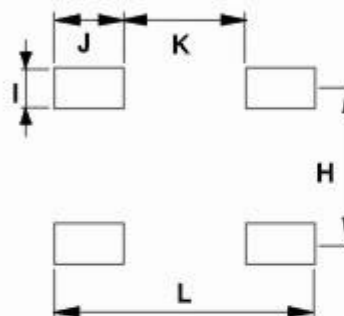
## SHAPES & DIMENSION FOR SMD SERIES (mm)

## FEATURE

- Available in low high product
- Low DC resistance.
- Suitable for large currents.
- Ideal for a variety of DC-DC converter inductor applications.
- Available on tape and reel for auto surface mounting.



## RECOMMENDED PATTERN (mm)



PART NO.	A	B	C	D Typ.	H	I	J	K	L
SMD 4D11	5.8 <sup>+0</sup>	4.4 <sup>+0</sup>	1.2 <sup>+0</sup>	3.7	3.2	0.8	1.4	2.5	5.3
SMD 5D11	7.4 <sup>+0</sup>	5.8 <sup>+0</sup>	1.2 <sup>+0</sup>	4.2	3.4	1.1	1.4	3.6	6.4



# SMD POWER INDUCTORS SMD TYPE

## ELECTRICAL SPECIFICATION

Part NO.	L ( $\mu$ H)	RDC(OHM) Max.		IDC(A)Max.	
		4D11	5D11	4D11	5D11
2R2	2.2	0.116		0.95	
3R3	3.3	0.174	0.109	0.77	0.94
4R7	4.7	0.216	0.156	0.75	0.80
6R8	6.8	0.296	0.216	0.62	0.65
100	10	0.457	0.575	0.50	0.53
150	15	0.676	0.438	0.40	0.40
220	22	1.066	0.663	0.30	0.36
330	33	1.647	0.975	0.24	0.32
470	47	2.834	1.380	0.18	0.26
680	68		1.700		0.23
101	100		2.800		0.20

Operating Temperature : -30°C ~ +85°C  
 Test Freq. : 100KHz/0.1V  
 Inductance drop  $\leq$  35% typ. At IDC